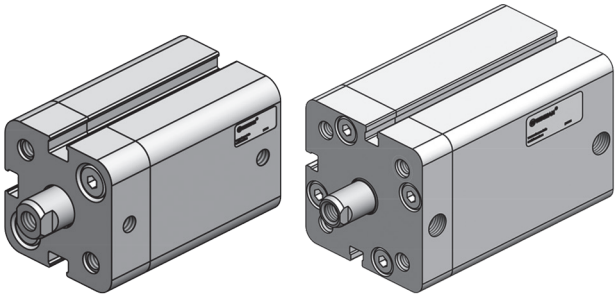


WINC - Serie Kompaktylinder/ WINC - Series Compact Cylinders

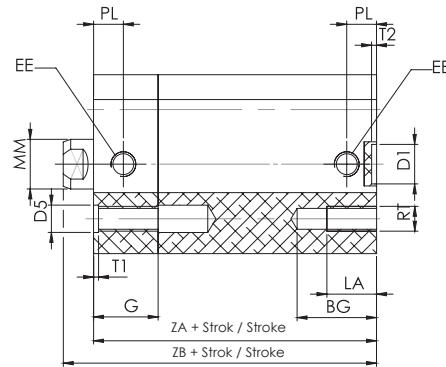
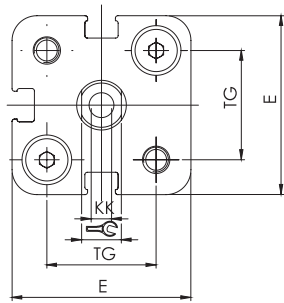


Spezifikation/ Specification

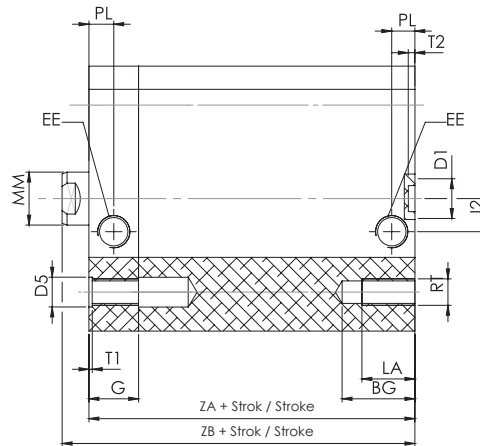
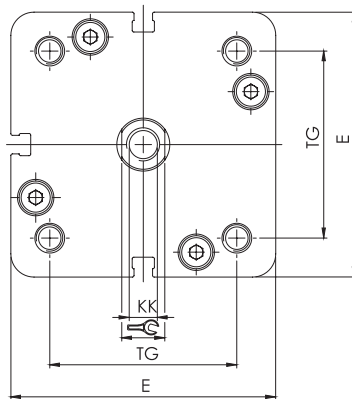
Bohrungsgröße/Bore Size	20	25	32	40	50	63
Arbeitstyp/Acting Type	Doppeltwirkend/Double Acting					
Fluid/Fluid	Luft (40µm gefiltert) /Air (40µm filtered)					
Betriebsdruck/Op. Pressure	< 10 Bar					
Temperatur/Temperature	0 ~ +80 °C					
Magnetisch/Magnetic	Optional					
Gleitführung/Cush. Type	Stoßstange/Bumper					
Geschwindigkeitsbereich/Speed Range	< 500 mm/s					
Sensorschalter/Sensor Switches	WT-40					

Technische Zeichnung/Technical Drawing

WINC.020/025



WINC.032/063



Ø mm	BG min.	D1 Ø h9	D5 Ø	E	EE	J2	G	LA	KK	MM Ø	PL	RT	h13	T1 +0.1	T2 +0.1	TG ±0.2	ZA ±0.3	ZB +1.2	STANDARD
20	16.0	9	5.5	38	M5	-	13.0	10.0	M6	10	5.0	M5	8	1	1.0	22.0	37	43	10 - 20 - 25
25	16.0	9	5.5	41	M5	-	14.5	10.0	M6	10	5.0	M5	8	1	1.0	26.0	39	45	
32	18.0	9	6.5	50	G11/8"	8	15.0	12.0	M8	12	7.5	M6	10	1	2.1	32.5	44	51	30 - 40 - 50
40	19.5	9	7.0	58	G1/8"	3	15.0	12.0	M6	12	7.5	M6	10	1	2.0	38.0	45	52	
50	22.0	12	9.0	70	G1/8"	7	15.0	16.0	M10	16	7.5	M6	10	1	2.6	46.5	45	53	
63	22.0	12	9.0	80	G1/8"	10	15.0	16.0	M10	16	7.5	M8	13	1	2.0	56.5	49	57	

Bestellnummer/Ordering Code

Model/Model	Diameter DIA	Hub Stroke
WINC	032	0050
Nicht rotierender Kompakt Compact	Kolben (mm) Piston Dia	Hub(mm) Stroke